



## Neutrino Thunder Duo / D3

### Appendix

How to use the vibration damping pads



For the latest version of this document,  
please download the PDF manual at  
<http://www.akitio.com/support/user-manuals>

PN: E15-572G1AA021

August 1, 2014 - v1.0



**E15-572G1AA021**

© 2014 by AKiTiO - All Rights Reserved

*AKiTiO assumes no responsibility for any errors or differences between the product you may have and the one mentioned in this document and reserves the right to make changes in the specifications and/or design of this product without prior notice. The diagrams contained in this document are for reference and may not fully represent the real product. AKiTiO assumes no responsibility for any loss of data or files.*

## Remarks

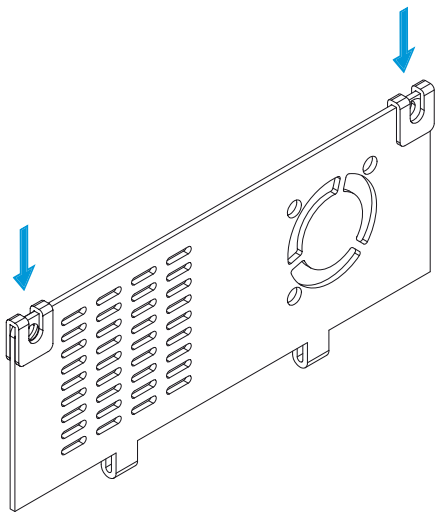
In some cases, vibration from the fan transfers from the back panel to the chassis, which can amplify the noise of the fan. If this applies to your product and it doesn't already have vibration damping pads in place, please follow the instructions in this document.

To check if vibration is causing extra noise, remove the two hand tightened screws and either lightly hold the back panel in place or slightly open it.

If you cannot hear any difference, there is no need to attach the vibration damping pads but if there is a slight decrease in the noise, adding the damping pads will help to reduce the extra noise.

1

### Outside view of back panel



Align the vibration damping pads with the screw holes in the back panel and wrap them around the panel, making sure not to cover the screw holes.

2

### Inside view of back panel

