



Taurus Mini Super-S LCM

Dual-Bay RAID Storage Enclosure
for two 2.5-inch Serial ATA Hard Drives



User Manual

August 1, 2011 – v1.0
www.akitio.com

EN





Table of Contents

1	Introduction	1
1.1	System Requirements	1
1.1.1	PC Requirements	1
1.1.2	Mac Requirements.....	1
1.1.3	Supported Hard Drives	1
1.2	Package Contents	1
1.3	About this Manual.....	1
1.4	Trademarks	1
1.5	Detailed View	2
1.5.1	Front View	2
1.5.2	Rear View.....	2
1.6	RAID Modes	3
1.6.1	RAID 0 - Disk Striping.....	3
1.6.2	RAID 1 - Disk Mirroring.....	3
1.6.3	Changing the RAID Mode	3
2	System Setup	4
2.1	Hard Drive Assembly	4
2.2	Replacing Hard Drives.....	6
2.3	Connection to Computer.....	6
2.4	About Data Backup.....	6
3	LCD Display	7
3.1	Main Menu.....	7
3.2	System Information.....	7
3.3	HDD Information.....	8
3.4	Settings	8
3.4.1	>2TB Volume Mode.....	9
3.4.2	RAID Mode Setup.....	10
3.4.3	Alarm Setup.....	11
3.4.4	Backlight Setup.....	12
3.5	Event Information	13
4	Appendix.....	14
4.1	Precautions	14
4.1.1	Power on/off precautions	14
4.1.2	Location and placing precautions.....	14
4.1.3	Electricity and power plug	14
4.1.4	Cables	14
4.2	FAQ.....	14

1 Introduction

1.1 System Requirements

1.1.1 PC Requirements

- Minimum Intel Pentium III CPU 500MHz, 128MB RAM
- eSATA equipped PC; Windows XP/Vista/7
- FireWire 400/800 equipped PC; Windows XP/Vista/7
- USB 2.0 equipped PC; Windows XP/Vista/7
- Your hardware device must have the correct corresponding port (e.g. USB 2.0 host controller)
- Plug & Play support for eSATA host controller

1.1.2 Mac Requirements

- Minimum Apple G4 processor, 128MB RAM
- eSATA equipped Mac; Mac OS 10.4 or above
- FireWire 400/800 equipped Mac; Mac OS 10.2 or above
- USB 2.0 equipped Mac; Mac OS 10.2 or above
- Your hardware device must have the correct corresponding port (e.g. USB 2.0 host controller)
- Plug & Play support for eSATA host controller

1.1.3 Supported Hard Drives

- Two 2.5" SATA-I or SATA-II hard drives (1.5Gb/s or 3.0Gb/s)
- Height 9.5mm or 12.5mm
- 20GB - 1TB per HDD
- Hard drives of identical capacities are recommended

Note

In order for the computer to access volumes larger than 2TB, both the hardware and OS need to have the capacity to support large volumes (e.g.: Windows 7 or Mac OS 10.4 and above).

1.2 Package Contents

Package content may vary depending on vendor & version.

- Taurus Mini Super-S LCM storage enclosure (hard drives not included)
- Power supply
- Interface cables
- User manual

1.3 About this Manual

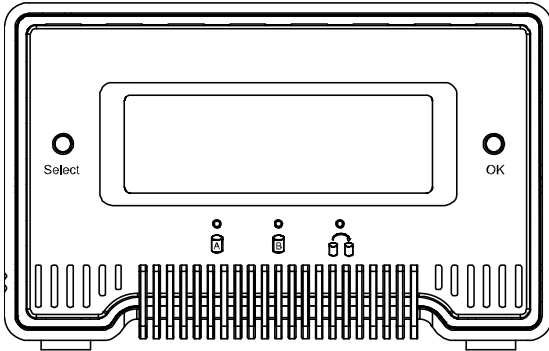
Firmware, images and descriptions may vary slightly between this manual and the actual product you have. Functions and features may change depending on the firmware version. Please read your warranty carefully, as this may vary between different vendors!

1.4 Trademarks

- MS-DOS, Microsoft, Windows XP/Vista/7 are trademarks of Microsoft Corporation.
- Apple Macintosh and Mac are trademarks of Apple Computer.
- All other third party brands and names are the property of their respective owners.

1.5 Detailed View

1.5.1 Front View

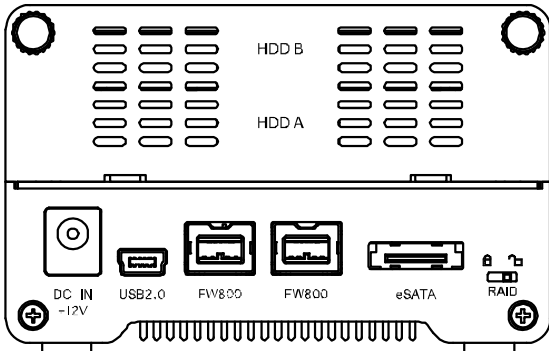


LED/Button	Status
	<ul style="list-style-type: none"> Green = Data access (read/write) Red = Error or empty drive bay
	<ul style="list-style-type: none"> OFF = HDD status normal Orange = Rebuilding data
Select	<ul style="list-style-type: none"> Select setup menu or mode
OK	<ul style="list-style-type: none"> Confirm current option or enter setup menu

Note

HDD A indicates the drive at the bottom and HDD B indicates the drive on top.

1.5.2 Rear View



Icon/Label	Meaning
DC IN	Power receptacle
USB 2.0	USB 2.0 High Speed port
FW800	FireWire 800 port
eSATA	External SATA port
RAID	RAID mode is locked and cannot be changed
RAID	RAID mode can be set via LCD display

1.6 RAID Modes

Hard drives of identical capacities are recommended. If the capacities are different, the total amount of the space that can be used will depend on the drive with the smallest capacity. The difference in performance is only visible for fast interfaces like eSATA.

1.6.1 RAID 0 - Disk Striping

The drives are shown as one large single volume but the total size will depend on the drive with the smallest capacity. This setting is used where speed is the primary objective but RAID Level 0 (also called striping) is not redundant. This form of array splits each piece of data across the drives in segments; since data is written without any form of parity data-checking, it allows for the fastest data transfer. On the downside, if one drive becomes damaged, the whole array can become corrupted.



1.6.2 RAID 1 - Disk Mirroring

Two drives show up as one volume but only 50% of the total capacity, depending on the drive with the smallest capacity, can be used. RAID 1 creates an exact copy (or mirror) of a set of data on the second drive. This is useful when reliability and backup take precedence over storage capacity. Should one hard drive fail, it can be replaced and the data rebuilt automatically.



1.6.3 Changing the RAID Mode

The RAID mode should be set after installing the drives and before first formatting the drives.

1. Make sure the power is off and then install the hard drives.
2. Unlock the RAID switch on the rear of the device.
3. Connect the power supply to the device and then plug it into the power outlet to turn the device on.
4. Enter the setup menu and set your preferred RAID mode. The system will restart and ask for confirmation.
5. Initialize the disk, create a partition and format the drives.
6. Lock the RAID switch to prevent an accidental change of the RAID mode.

Note

Changing the RAID mode requires you to re-format the drives. This will erase all data on the hard drives that are being formatted. Make sure to backup all existing data first!

Important

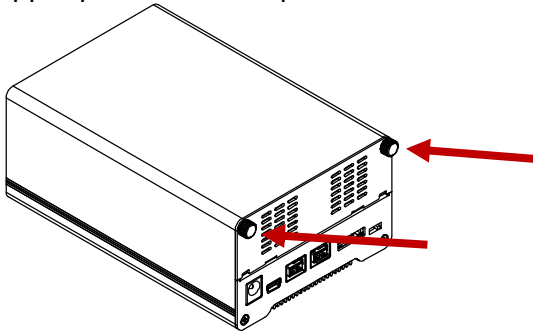
In order for the computer to access volumes larger than 2TB, both the hardware and Operating System need to have the capacity to support large volumes (e.g.: Windows 7 or Mac OS 10.4 and above).

2 System Setup

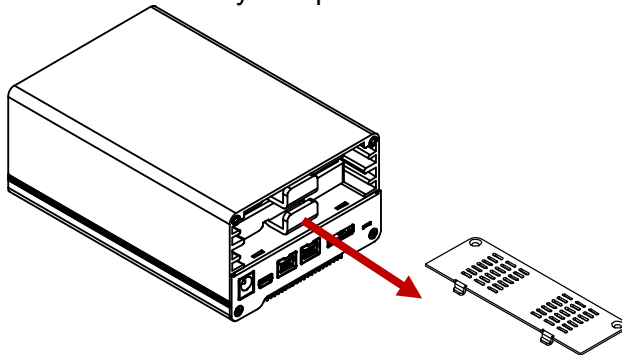
2.1 Hard Drive Assembly

Your unit may come with pre-installed hard drives. Before opening such an enclosure, please read the warranty from your vendor carefully, as this could void your warranty.

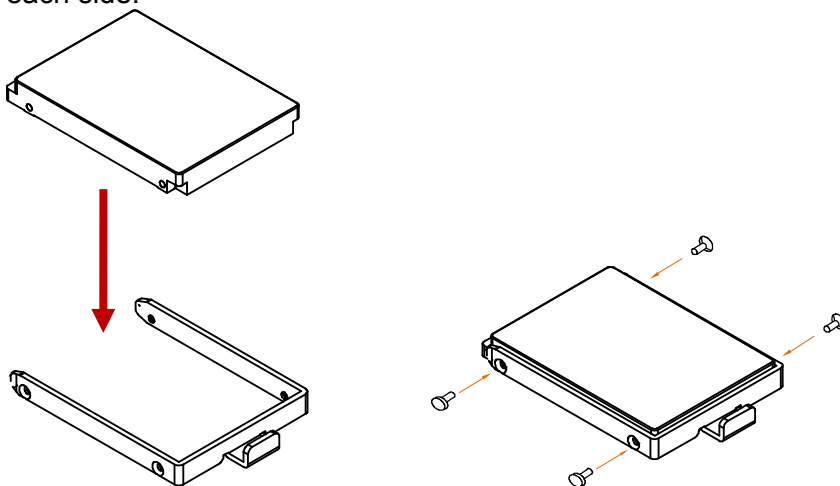
1. Remove the two hand-tightening screws at top rear of the device and then remove the upper part of the rear panel.



2. Grab the HDD tray and pull it out of the case.

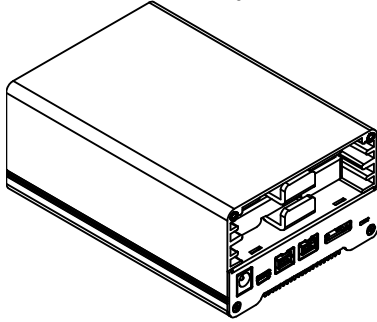


3. Align the hard drive with the HDD tray as illustrated below and mount it with two screws on each side.

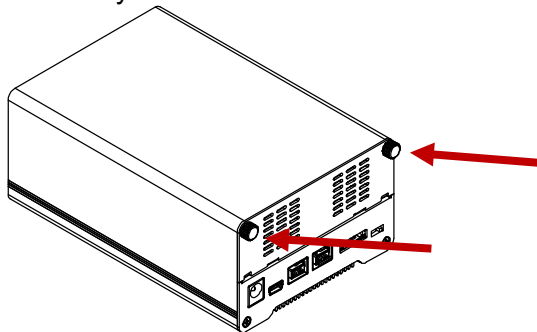


4. Repeat the previous two steps for the second HDD tray.

- Slide the HDD tray(s) back into the case and push it lightly into place.



- Align the rear panel with the case and fasten the hand-tightening screws to finish the assembly.



- Turn on the power and use the LCD display to set your preferred RAID mode.
- Connect the device to your computer. For PC users, use the disk management tool or for Mac users, use the disk utility to create a new partition and format the drives.
- Done! Your drive is now ready to use.

Note

This device is designed for two hard drives and does not work when only one HDD is installed.

Important

Upon initial start up of the device and when changing the RAID mode, any existing data on the installed hard drives will be erased. Please make sure you backup all data prior to installing the hard drives and prior to changing the RAID mode!

2.2 Replacing Hard Drives

When a drive fails, the corresponding HDD LED will light up red. If only one drive is defective and the RAID mode is set to RAID 1, the data can still be accessed, however, we strongly recommend replacing the faulty drive immediately to assure continued proper backup and data safety.

If more than one drive fails at the same time or if the RAID mode is set to RAID 0, the data will be lost and the system can not be accessed again until the drive(s) have been replaced.

1. Check the HDD LED. The corresponding LED will light up red, indicating the defective drive. HDD A indicates the drive at the bottom and HDD B the drive on top.
2. Turn off the power by removing the power supply from the wall socket.
3. Open the enclosure and replace the faulty hard drive(s) with a new one.
4. Finish the assembly and re-connect the power supply.
5. For RAID 1, the RAID array will be rebuilt automatically. During this process, the Rebuild LED will be flashing until all data is backed up. Rebuilding the RAID array will take several hours, depending on the drive capacity.
6. For RAID 0, unlock the RAID switch, go to the RAID setup menu, select RAID 0 and confirm the settings. After the system restart, simply format the drives.

Note

We recommend not turning off the power during the rebuild process but if the process is interrupted, it will continue rebuilding the data as soon as the power is turned back on.

2.3 Connection to Computer

A few precautions and notes when using your external storage drive:

- Do not expose the product to water or humid conditions.
- Do not cover the enclosure's ventilation holes.
- Before connecting the device, install the hard drives and set your preferred RAID mode.
- For the safe removal of your drive and to assure that no data is lost, always follow the correct unplug procedure for external hardware (e.g.: Eject the drive before removal).
- In order for the computer to access volumes larger than 2TB, both the hardware and Operating System need to have the capacity to support large volumes (e.g.: WinVista 32bit/64bit or Mac OS 10.4 and above) or the >2TB option should be disabled.
- When the computer goes into stand-by mode, the external hard drives will spin down as well.
- Only one interface can be used at any given time.

2.4 About Data Backup

To protect your files and help prevent the loss of your data, we strongly recommend that you keep two copies of your data, one copy on your Taurus Mini and a second copy either on your internal drive or another storage media such as CD, DVD, Tape or an additional external drive.

Any loss or corruption of data while using the Taurus Mini is the sole responsibility of the user, and under no circumstances will the manufacturer be held liable for compensation or the recovery of this data.

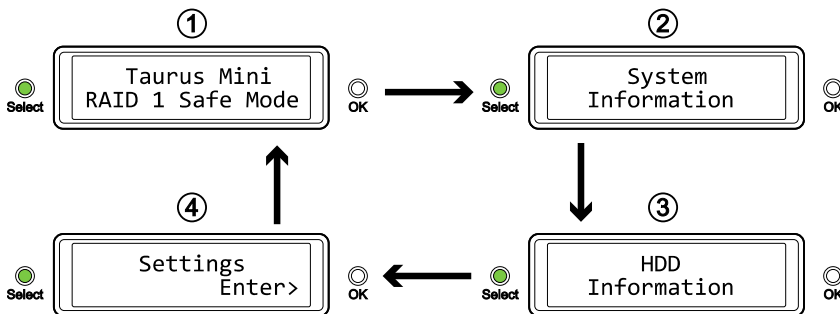
3 LCD Display

To select a menu or change an option, use the [Select] button. To enter a menu and confirm a change, use the [OK] button. For further details, follow the on-screen wizard or refer to the following step by step descriptions.

3.1 Main Menu

Press the [Select] button to change between the different menus and press the [OK] button to enter a menu.

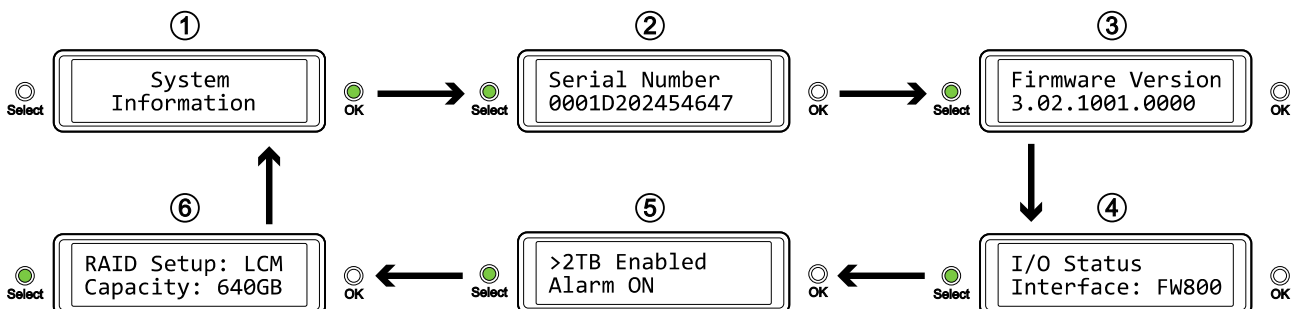
1. The main screen displays the product name and the current RAID mode.
2. The system information will show further details about the configuration and the hardware.
3. The HDD information will show further details about the installed hard drives.
4. The settings menu offers options to change the device configuration.



3.2 System Information

Press the [Select] button until the system information menu is selected and then press the [OK] button to start displaying further details about the device configuration and the hardware. It will automatically cycle through the different information displaying each screen for about 8 seconds and then return to the main screen. To fast forward, press the [Select] button.

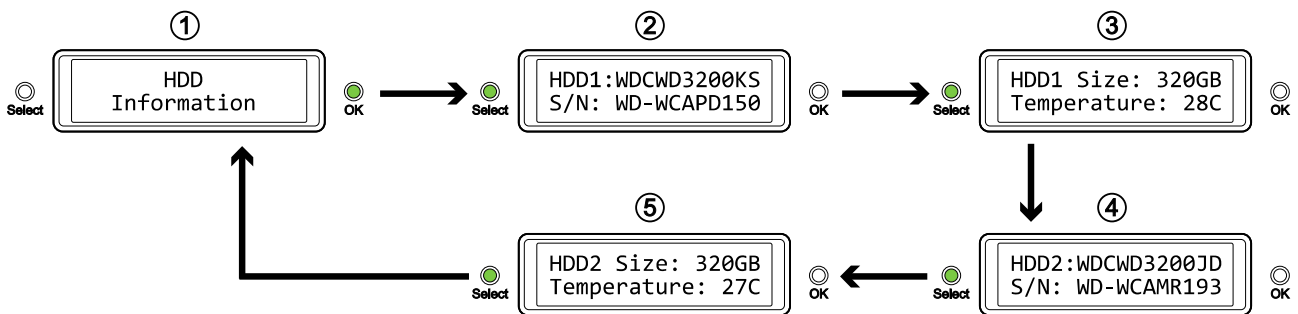
1. The main screen of the system information menu.
2. The serial number is a combination of the 1394 vendor ID, the chip ID Hi and the chip ID Lo.
3. Displays the current firmware version of the Taurus Mini.
4. The I/O status shows the interface that is currently used for the connection to the computer.
5. Displays the current status of the >2TB and the alarm function.
6. Shows how the RAID mode was set (LCM = LCD display, AP = computer program) and the total storage capacity.



3.3 HDD Information

Press the [Select] button until the HDD information menu is selected and then press the [OK] button to start displaying further details about the installed hard drives. It will automatically cycle through the different information displaying each screen for about 8 seconds and then return to the main screen. To fast forward, press the [Select] button.

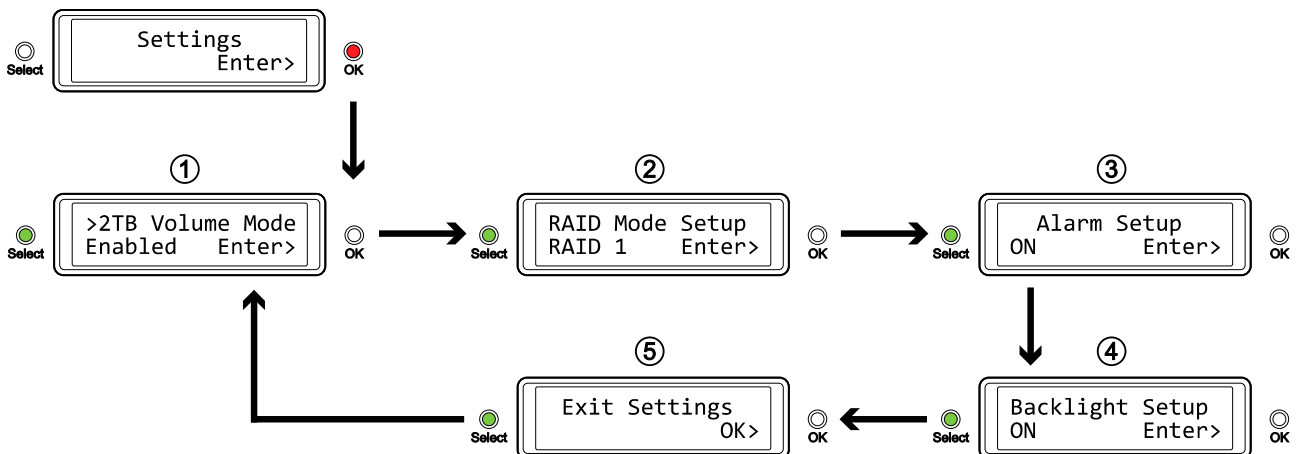
1. The main screen of the HDD information menu.
2. Displays the model number and serial number of the drive installed at HDD1.
3. Displays the total storage capacity and the temperature of the drive installed at HDD1.
4. Displays the model number and serial number of the drive installed at HDD2.
5. Displays the total storage capacity and the temperature of the drive installed at HDD2.



3.4 Settings

Press the [Select] button until the settings menu is selected and then press the [OK] button to enter the configuration menu. You can now use the [Select] button to cycle through the different settings and the [OK] button to further configure the device settings.

1. Option to enable or disable the support for large volumes in excess of 2TB.
2. Setup menu for the RAID settings.
3. Option to enable or disable the general alarm sound.
4. Setup menu to define how long the backlight for the LCD display stays lit.
5. To exit the settings menu and return to the main menu.



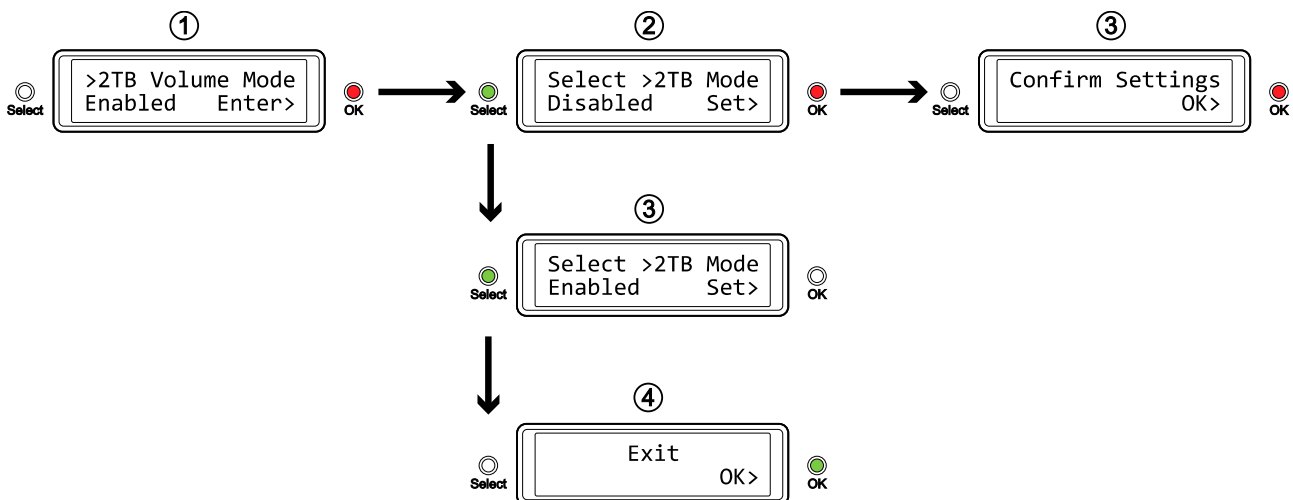
3.4.1 >2TB Volume Mode

In order for the computer to access volumes larger than 2TB, both the hardware and Operating System need to have the capacity to support large volumes (e.g.: WinVista 32bit/64bit or Mac OS 10.4 and above) or the >2TB option should be disabled.

- [Enabled] Supports volumes in excess of 2TB. If the total storage capacity exceeds 2TB, older Operating Systems will not be able to mount and access the drive.
- [Disabled] Only supports volumes up to 2TB. If the total storage capacity exceeds 2TB, the remaining storage space can not be accessed but on the other hand, older Operating Systems are still able to use the drive.

Press the [OK] button to enter the setup menu and press the [Select] button to cycle through the different options.

- To exit the menu without changing any of the settings, press the [Select] button until you see the Exit screen and then press the [OK] button.
- To change the setting, press the [Select] button to choose your preferred mode, press the [OK] button to select it and then press the [OK] button again to confirm the change.



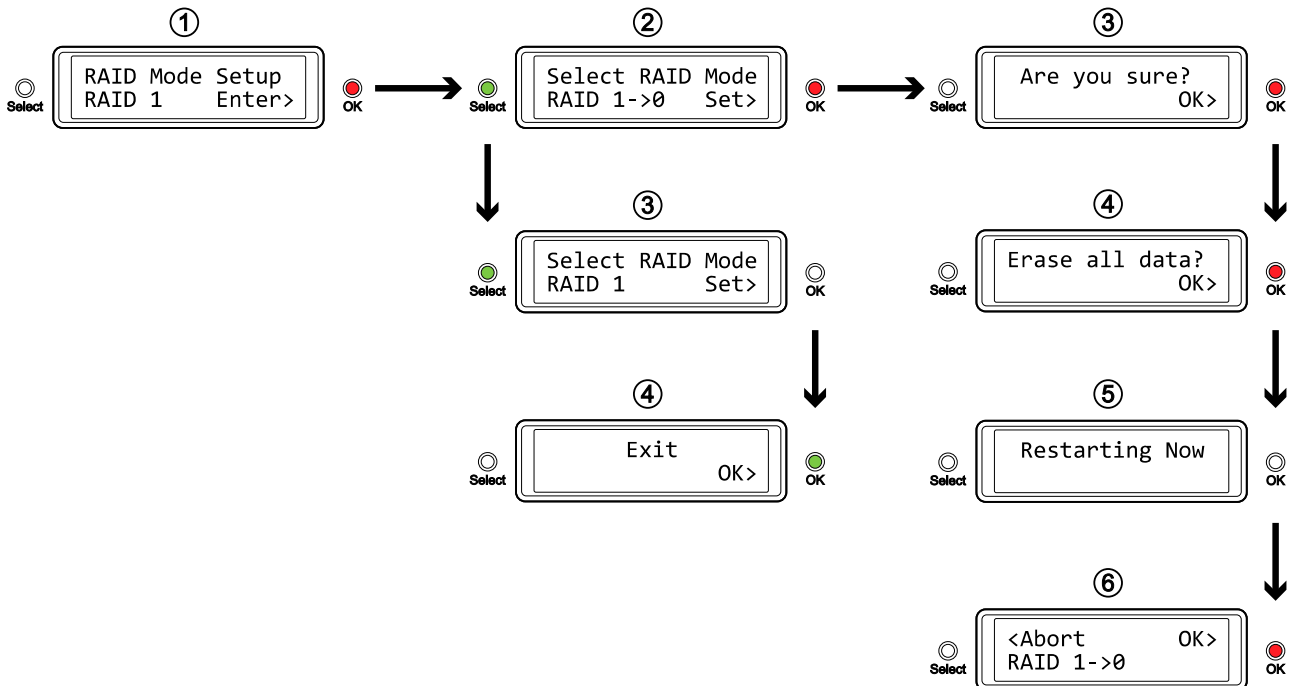
3.4.2 RAID Mode Setup

In order to set the RAID mode, make sure the RAID switch is in the unlocked position.

- [RAID 1] Confirm RAID 1 mirroring mode.
- [RAID 0->1] Change the mode from RAID 0 striping to RAID 1 mirroring.
- [RAID 0] Confirm RAID 0 striping mode.
- [RAID 1->0] Change the mode from RAID 1 mirroring to RAID 0 striping.

Press the [OK] button to enter the setup menu and press the [Select] button to cycle through the different options.

- To exit the menu without changing any of the settings, press the [Select] button until you see the Exit screen and then press the [OK] button.
- To change the setting, press the [Select] button to choose your preferred mode, press the [OK] button to select it, press the [OK] button again to confirm the change and once more to acknowledge that all data will be erased by this change. The device will restart automatically and after start up, one more confirmation is required to set the new RAID mode.



Note

Changing the RAID mode requires you to re-format the drives. Make sure to backup all existing data first!

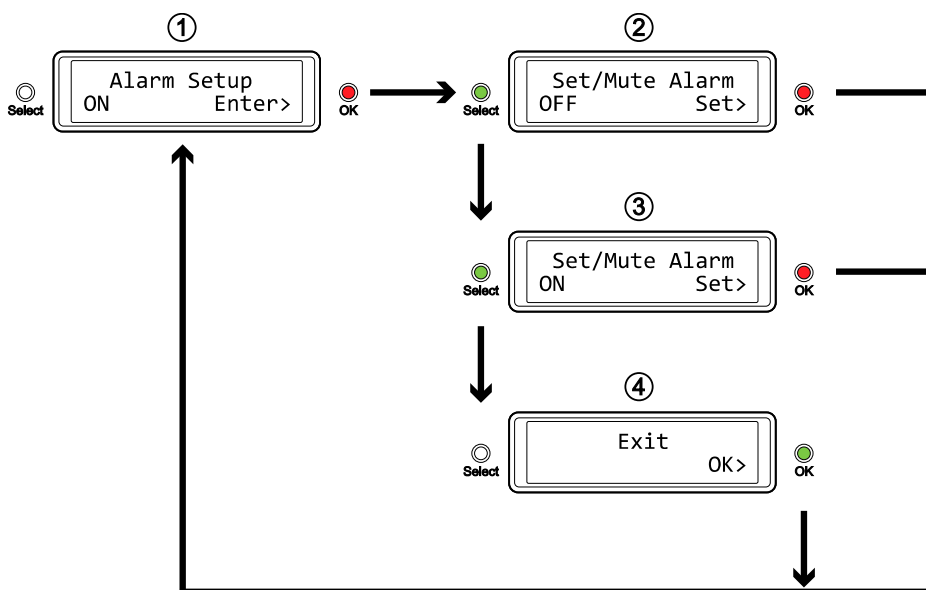
3.4.3 Alarm Setup

The general alarm sound is the short beep you hear when starting up the system and it will also sound when something is wrong. To enable or disable the alarm, select ON or OFF respectively.

- [ON] Beeper and alarm is enabled.
- [OFF] Beeper and alarm is disabled.

Press the [OK] button to enter the setup menu and press the [Select] button to cycle through the different options.

- To exit the menu without changing any of the settings, press the [Select] button until you see the Exit screen and then press the [OK] button.
- To change the setting, press the [Select] button to choose your preferred mode and then press the [OK] button to confirm the change.



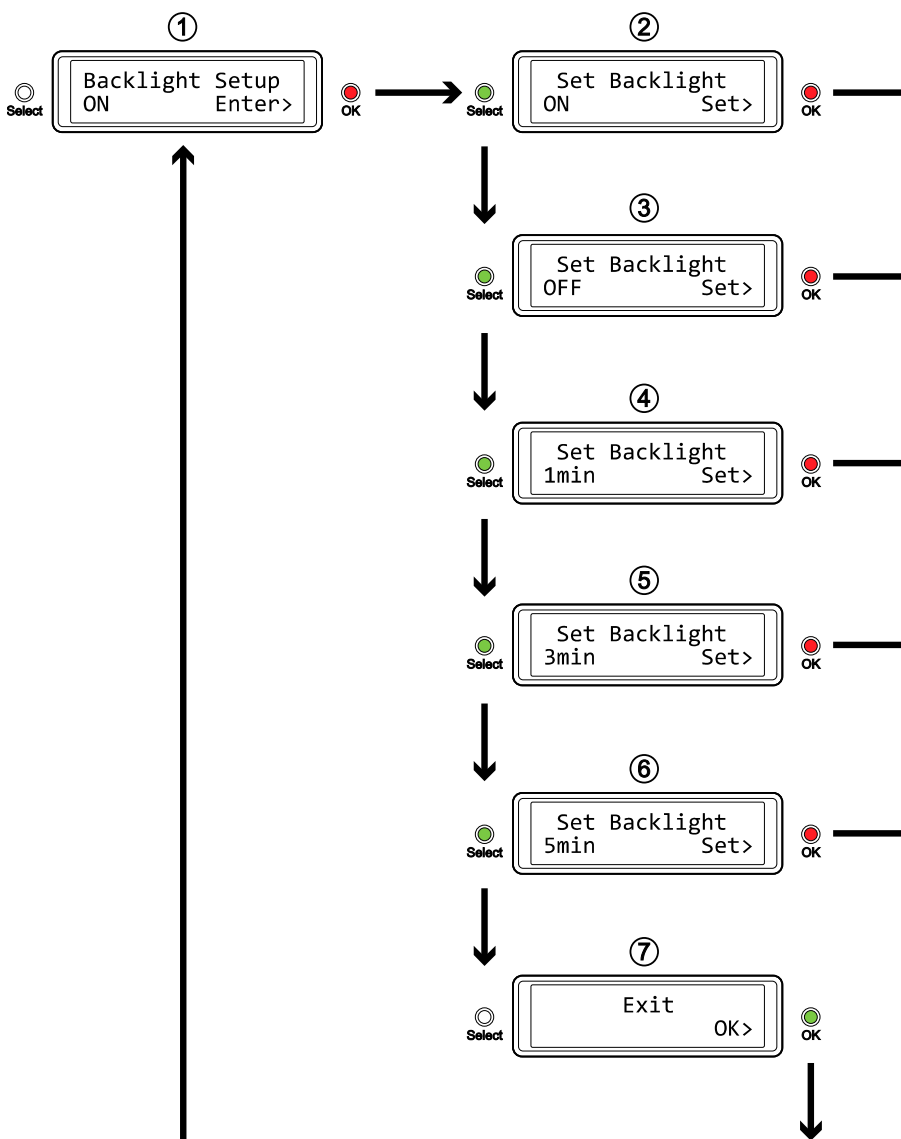
3.4.4 Backlight Setup

The backlight for the LCD display can be enabled, disabled or set so that it turns off automatically, when the screen has been idle for a certain amount of time.

- [ON] Always ON.
- [OFF] Always OFF.
- [1min] Backlight turns off when the screen has been idle for more than one minute.
- [3min] Backlight turns off when the screen has been idle for more than three minutes.
- [5min] Backlight turns off when the screen has been idle for more than five minutes.

Press the [OK] button to enter the setup menu and press the [Select] button to cycle through the different options.

- To exit the menu without changing any of the settings, press the [Select] button until you see the Exit screen and then press the [OK] button.
- To change the setting, press the [Select] button to choose your preferred mode and then press the [OK] button to confirm the change.



3.5 Event Information

In addition to the details about the hardware and device configuration, the LCD display will also show certain event information. Following is a list of possible messages and their meanings.

- **[HDD Error / Remaining 1xHDD]**
When using RAID 0 and one of the drives fails, the alarm will go off and the display indicates that only one good drive remains. Refer to the HDD LED's in order to locate the defective drive.
- **[RAID Warning / Degraded Array]**
When using RAID 1 and one of the drives fails, the alarm will go off and the display shows this message. Press the [OK] button to temporarily mute the alarm and use the HDD LED's in order to locate the defective drive.
- **[XX Cable / Connected]**
Shows which cable has been connected.
- **[Cable / Disconnected]**
Shows when the cable has been unplugged.
- **[Rebuilding... / Hrs left xhxxmin]**
Shows during the rebuild process of a RAID 1 array with an approximate time in hours and minutes indicating how long it takes until the backup is done.
- **[Detecting Disk / Starting...]**
Shows during start up of the system.
- **[XX / Starting ...]**
Shows during start up of the system.
- **[RAID Mode Locked]**
Shows when trying to change the RAID mode but the RAID switch is still in the locked position.

4 Appendix

4.1 Precautions

4.1.1 Power on/off precautions

We highly recommended unplugging the device when not in use and when re-locating it.

4.1.2 Location and placing precautions

Avoid positioning your device in the following places:

- Locations with direct sunlight, next to radiators, other sources of heat.
- Locations with very high temperatures (more than 38°C) or humidity (more than 90%).
- Very dusty or sandy locations.
- Locations subject to vibration, shock, or with a sloping base.

4.1.3 Electricity and power plug

Careful attention must be paid to the following points in order to prevent damage, fire, and/or injury:

- When removing the power cable from the socket, pull on the plug fixture and never on the cord.
- Do not connect and remove the power cable with wet hands.
- Keep the power cable away from heaters.
- Never try to repair the power cable yourself or to modify it in any way.
- If the unit is dropped or becomes damaged in any other way, unplug the power cable.
- Always connect the power adapter to your device before you plug it into the power outlet.

4.1.4 Cables

Use only the cables supplied or recommended by your vendor in order to avoid the risk of malfunction, electric shock, and/or possible interference to the device.

4.2 FAQ

Q: What file system should I choose to format my drive?

A: This will depend on how you want to use the drive but in general, we recommend:

- Windows XP/Vista/7 → NTFS
- Mac OS X → HFS+ (Mac OS Extended)
- Others → FAT32 (single file size is limited to 4GB)

Q: How many drives can fail before I lose my data?

A: For RAID 0, any drive failure will result in the data being lost. For RAID 1, more than one drive failure at the same time will mean the data can not be recovered anymore.

Q: Can I install only one hard drive?

A: No, the Taurus Mini Super-S LCM requires two hard drives.

© Copyright 2011 by Akitio. All Rights Reserved

The information contained in this manual is believed to be accurate and reliable. Akitio assumes no responsibility for any errors contained in this manual. Akitio reserves the right to make changes in the specifications and/or design of this product without prior notice. The diagrams contained in this manual may also not fully represent the product that you are using and are there for illustration purposes only. Akitio assumes no responsibility for any differences between the product mentioned in this manual and the product you may have.