



Hard Drive Enclosure  
Festplattengehäuse  
Caja Para Disco Duro  
Châssis Pour Disque Dur

## Taurus Super-S LCM

EN

DE

ES

FR

**Manual**  
**Handbuch**  
**Manual**  
**Manuel**

E15-57131AA012  
8/10/2011 - v1.1



For more detailed instructions, please download the PDF manual at  
<http://www.akitio.com/support/user-manuals>

© 2011 by AKiTiO - All Rights Reserved

*AKiTiO assumes no responsibility for any errors or differences between the product you may have and the one mentioned in this document and reserves the right to make changes in the specifications and/or design of this product without prior notice. The diagrams contained in this document are for reference and may not fully represent the real product.*

## Front View - Frontansicht Vista frontal - Vue de face



Blue = Power on  
Blau = Strom eingeschaltet  
Azul = ENCENDIDO  
Bleu = Sous tension

**HDD 1/2** Green = Data access (read/write)  
Red = Error or empty drive bay

**HDD 1/2** Grün = Datenzugriff (lesen/schreiben)  
Rot = Error oder leerer Laufwerksschacht

**HDD 1/2** Verde = Acceso a datos (lectura/escritura)  
Rojo = Error o bahía de unidad vacía

**HDD 1/2** Vert = Accès aux données (lecture/écriture)  
Rouge = Erreur ou bac du lecteur vide

**Rebuild** Orange = Rebuilding data  
Orange = Am Wiederherstellen der Daten  
Naranja = Reconstruyendo datos  
Orange = Reconstruction données

**Select** Select menu or mode  
Wähle Menü oder Betriebsart aus  
Seleccionar menú o modo  
Sélectionner menu ou mode

**OK** Confirm or enter  
Bestätigen oder öffnen  
Confirmar o entrar  
Confirmer ou saisir

## Rear View - Rückansicht Vista posterior - Vue arrière

### USB 2.0

USB 2.0 High Speed port  
USB 2.0 High Speed Anschluss  
Puerto de USB 2.0 High Speed  
Port USB 2.0 High Speed



Power receptacle  
Netzanschluss  
Toma de alimentación  
Prise de courant

### FW400/800

FireWire 400/800 ports  
FireWire 400/800 Anschlüsse  
Puertos FireWire 400/800  
Ports FireWire 400/800

### RAID

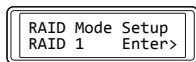
RAID switch  
RAID-Schalter  
Interruptor de RAID  
Commutateur RAID

### eSATA

eSATA port  
eSATA Anschluss  
Puerto de eSATA  
Port eSATA



Kensington security slot  
Öffnung für Kensington-Schloss  
Conector de seguridad Kensington  
Encoche de Sécurité Kensington



### RAID 0



1 2

### RAID 1



1 2



1 2



1 2

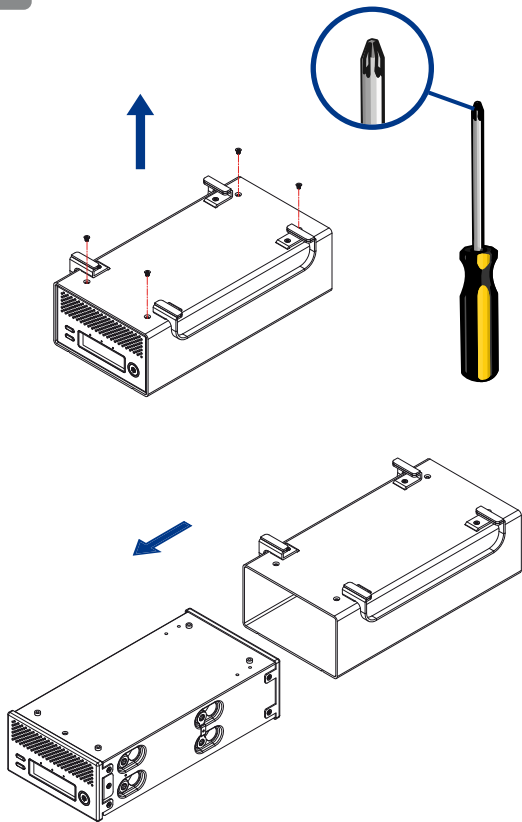
**Note:** Changing the RAID mode requires formatting the drives.

**Hinweis:** Die Änderung des RAID-Modus erfordert das Formatieren der Festplatten.

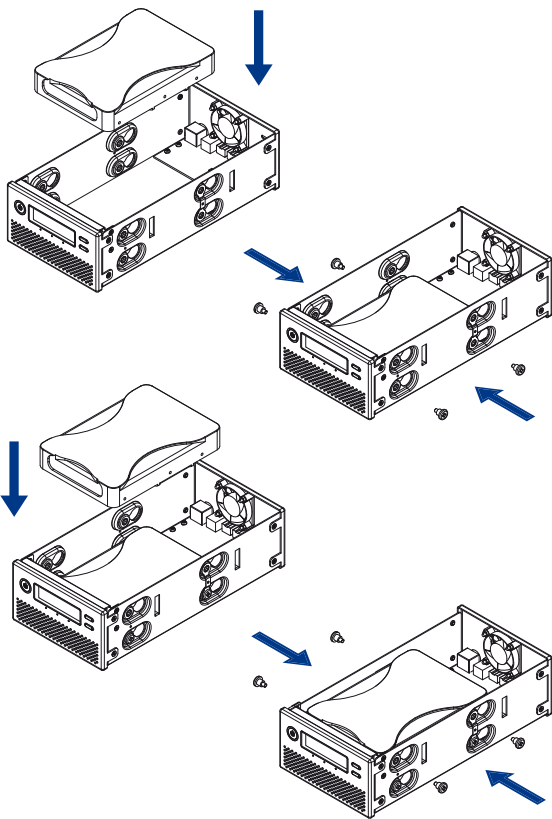
**Nota:** Si desea cambiar el modo RAID, deberá volver a formatear las unidades.

**Note:** Le fait de changer de mode RAID nécessite que vous formatiez les lecteurs.

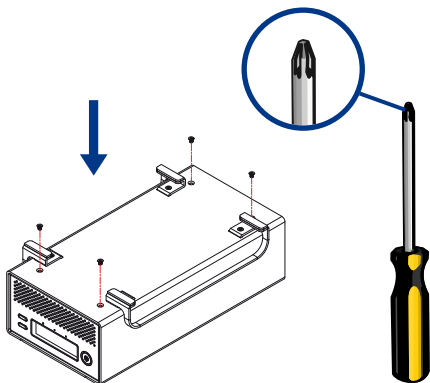
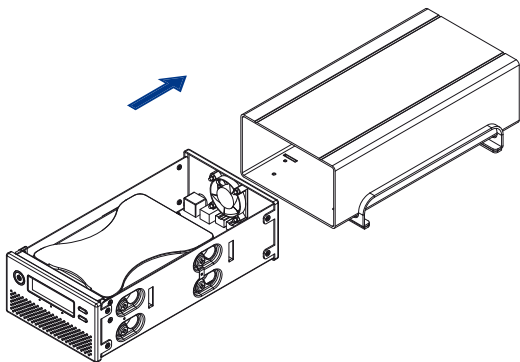
1



2



3



4



2 RAID ▶   
1 2

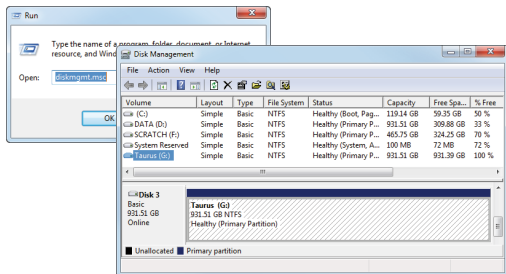
3 Power ON ▶ 

4 Select ▶ Select ▶ Select ▶ OK ▶ Select ▶

RAID Mode Setup  
RAID 1 Enter>

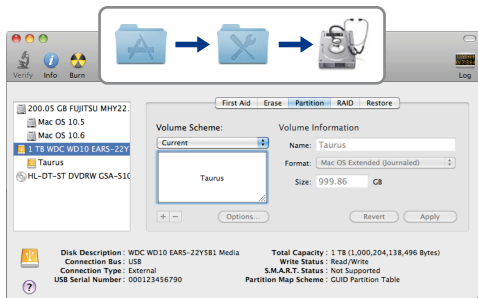
## Windows

1. Start / Run --> diskmgmt.msc
2. NTFS



## Mac

1. Applications / Utilities --> Disk Utility
2. Mac OS Extended (HFS+)



For more detailed instructions, please visit our website at  
<http://www.akitio.com/information-center/formatting-external-hard-drives>